

For reference only. See data sheet for the detailed specifications.

Technical Specification



Frequency Range(GHz)	0.7 – 6.0
Gain(dBic)	10 Typ.
Polarization	Dual Circular
Axial Ratio(dB)	2.0 Typ.
	4.0 Max.
3dB Beamwidth(deg)	E Plane: 175 - 19
	H Plane: 139 - 18
Port to Port Isolation(dB)	15 Typ.
VSWR	2.0:1 Max.
Connector	SMA-Female
Power Handling(W CW)	50 Max.
Material	Al
Finish	Chemical Conversion Coating and Nickel Plated
Size(mm)	310 x 310 x 429
Net Weight(Kg)	5.0 Around

PATENT ID (US)

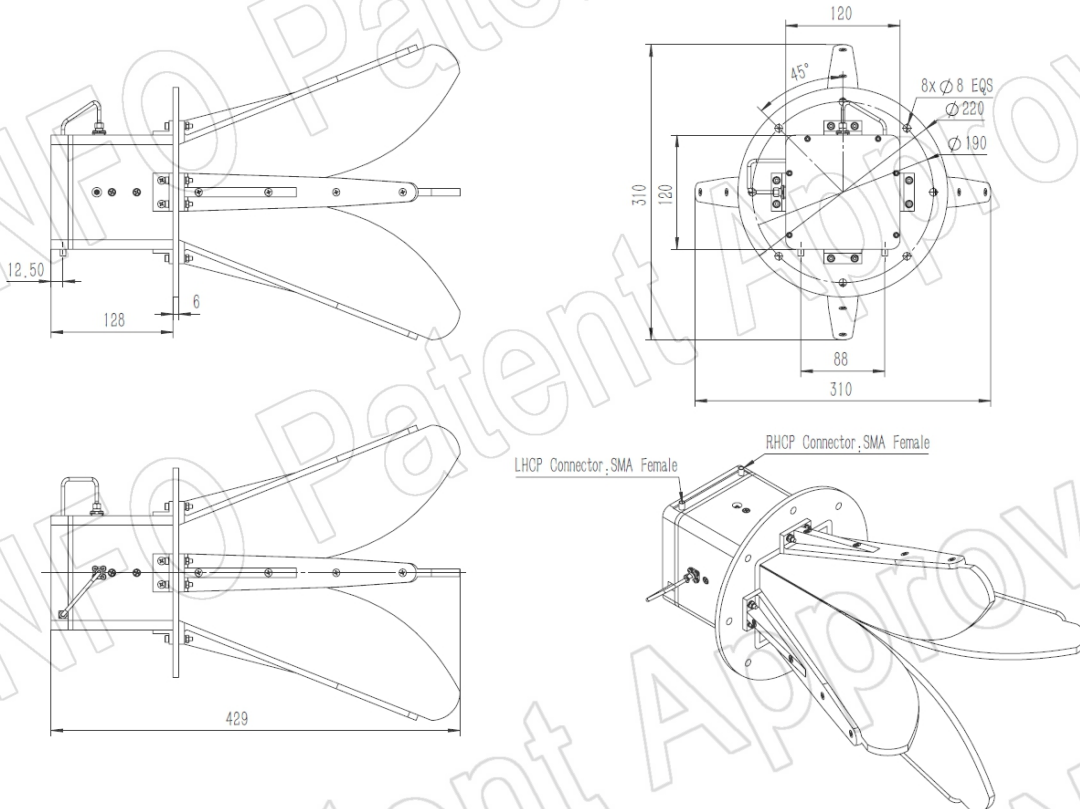
US 11139578

PATENT ID (China)

ZL201822143668.8, ZL201822143669.2

Outline Drawing (Size: mm)

SMA Female Output (P/N: LB-OSJ-0760-P03)



AINFO Inc.

China(Beijing):
China(Chengdu):
USA :

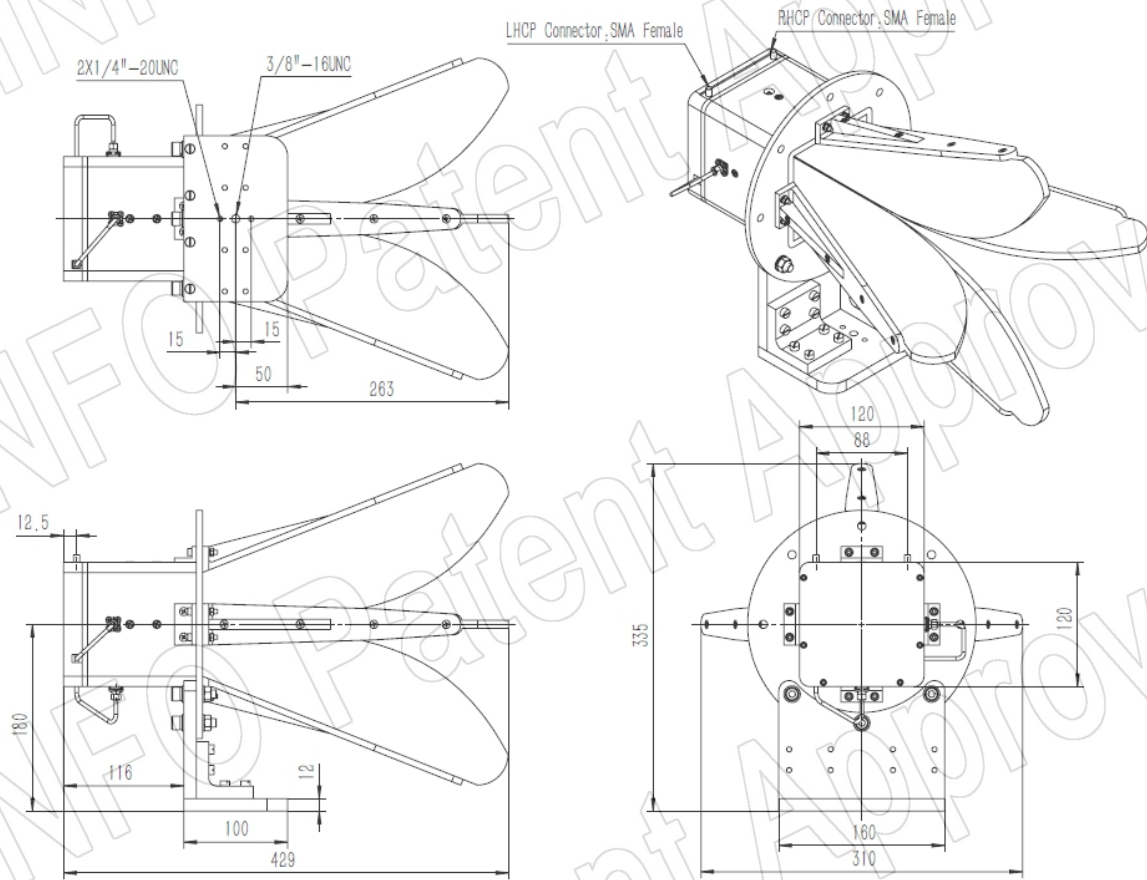
Tel: (+86) 10-6266-7326,
Tel: (+86) 28-8519-2786,
Tel: (+1) 949-639-9688,

(+86) 10-6266-7327
(+86) 28-8519-3044
(+1) 949-639-9608

Fax: (+86) 10-6266-7379
Fax: (+86) 28-8519-3068
Fax: (+1) 949-639-9670

Website: www.ainfoinc.com
Email: sales@ainfoinc.com

SMA Female Output with L Type Mounting Bracket (Option, P/N: LB-OSJ-0760-L)



AINFO Inc.

China(Beijing):
China(Chengdu):
USA :

Tel: (+86) 10-6266-7326,
Tel: (+86) 28-8519-2786,
Tel: (+1) 949-639-9688,

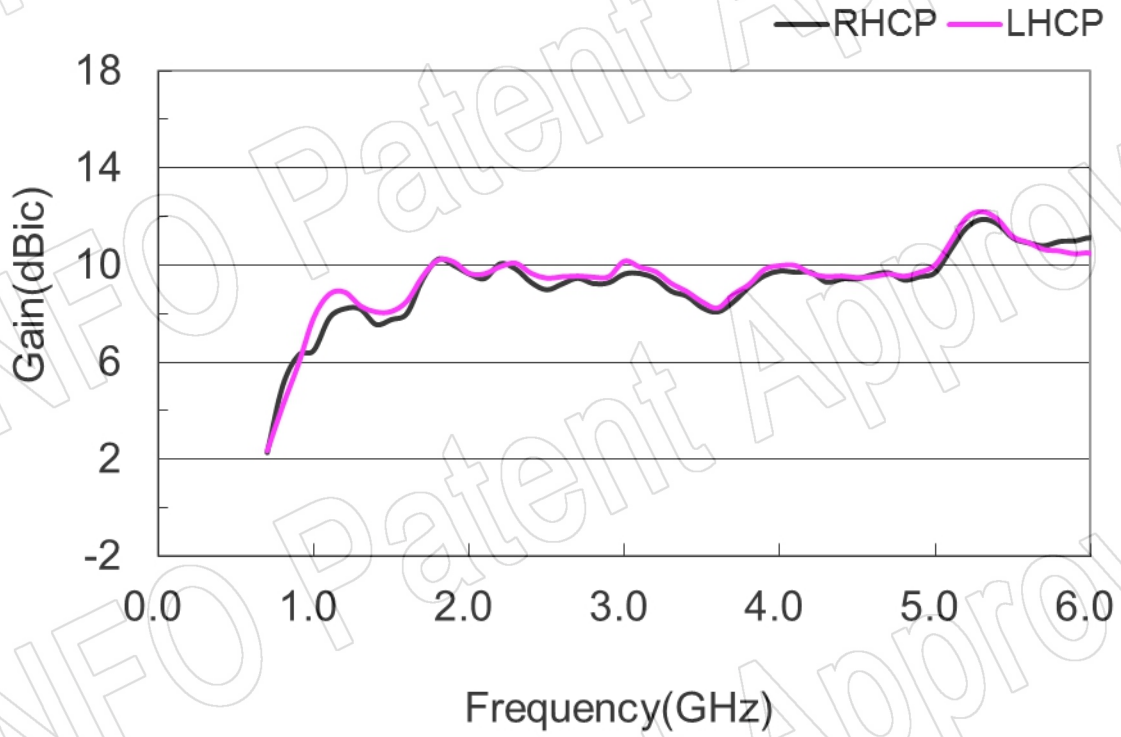
(+86) 10-6266-7327
(+86) 28-8519-3044
(+1) 949-639-9608

Fax: (+86) 10-6266-7379
Fax: (+86) 28-8519-3068
Fax: (+1) 949-639-9670

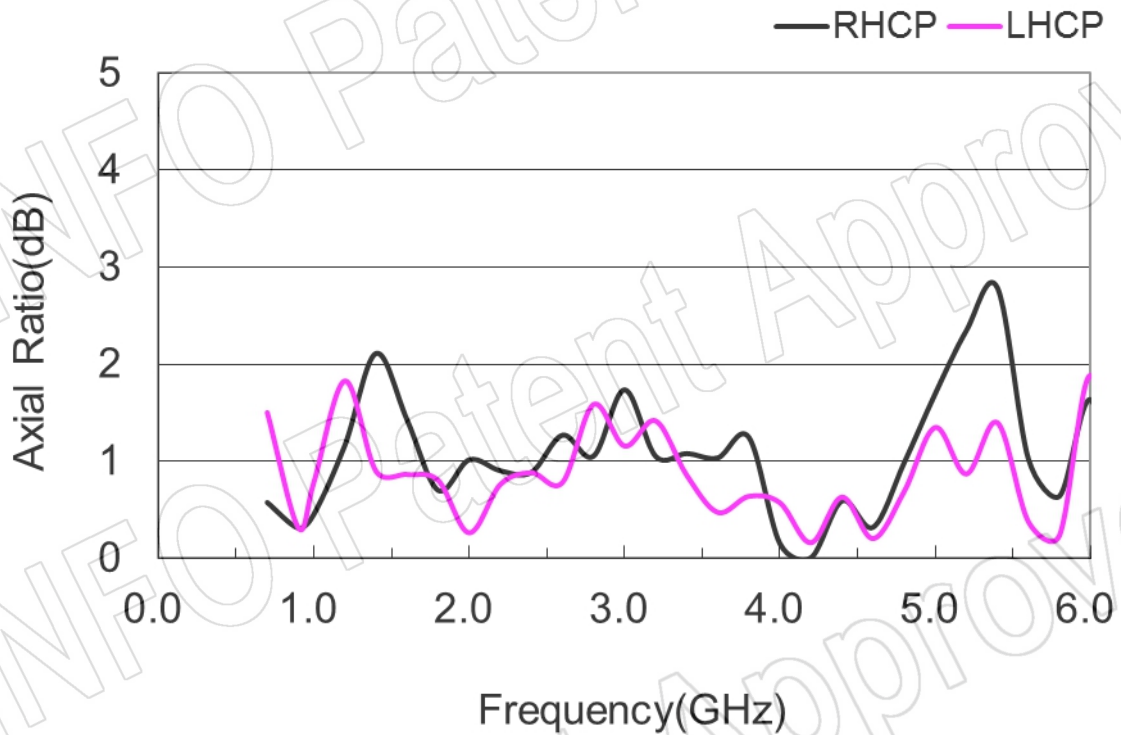
Website: www.ainfoinc.com
Email: sales@ainfoinc.com

Test Results

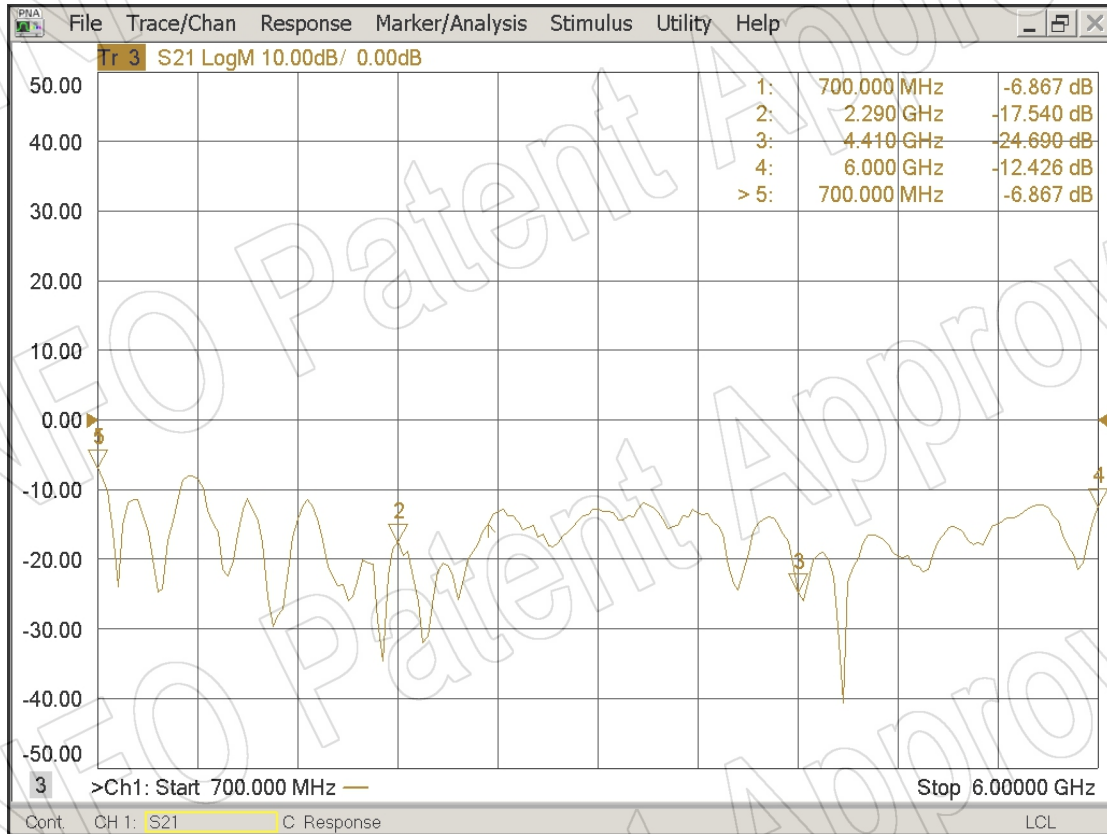
1. Gain



2. Axial Ratio

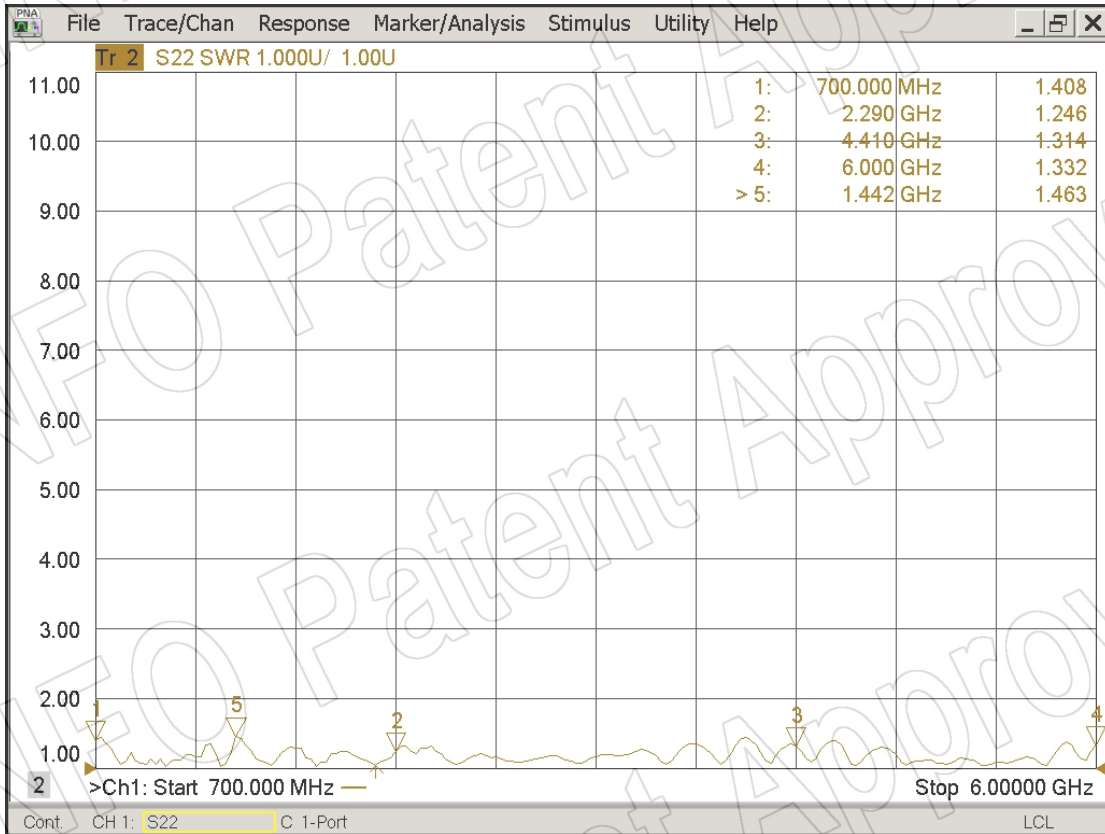


3. Port to Port Isolation

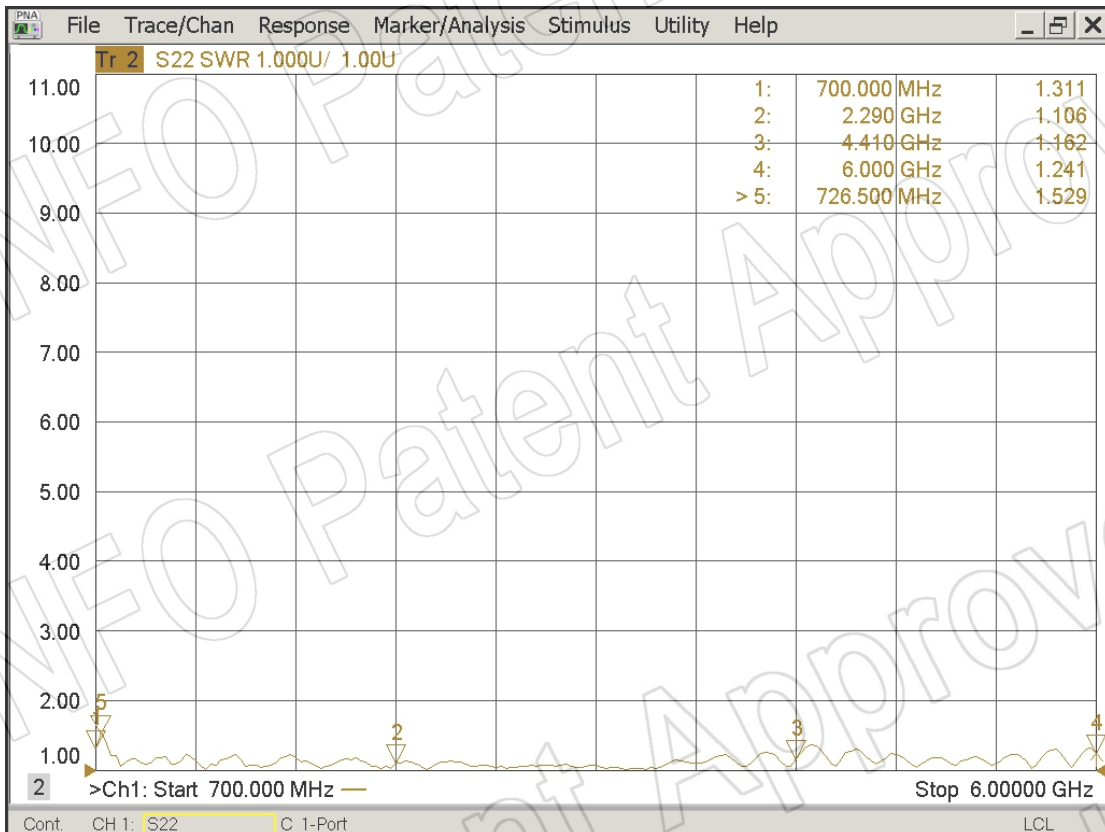


4. VSWR

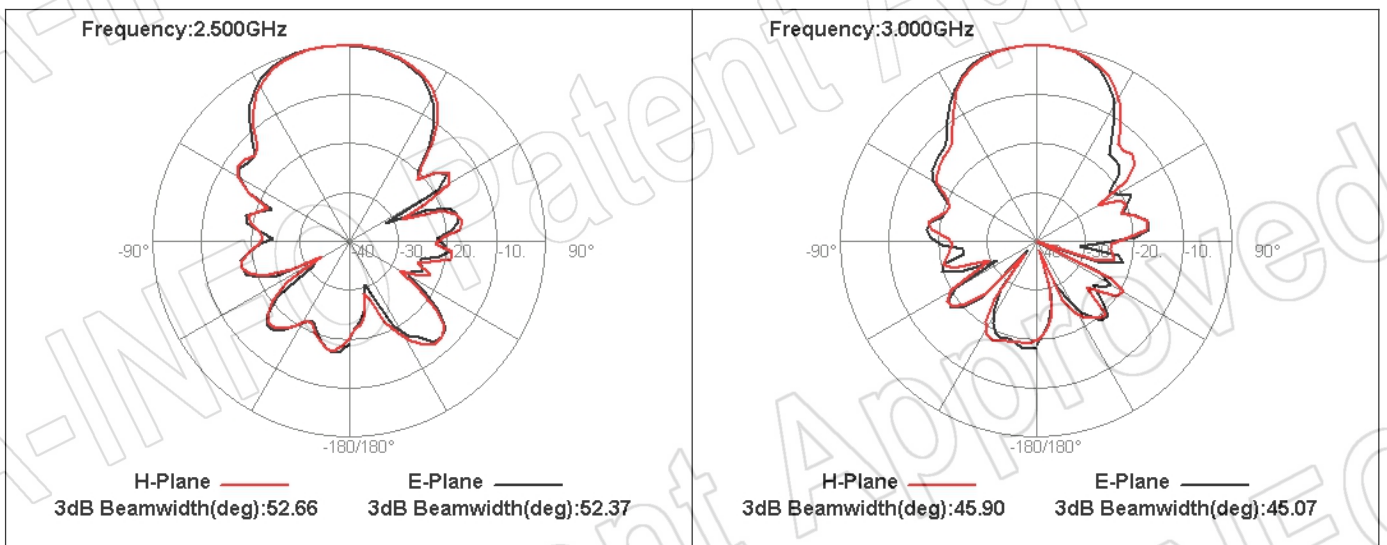
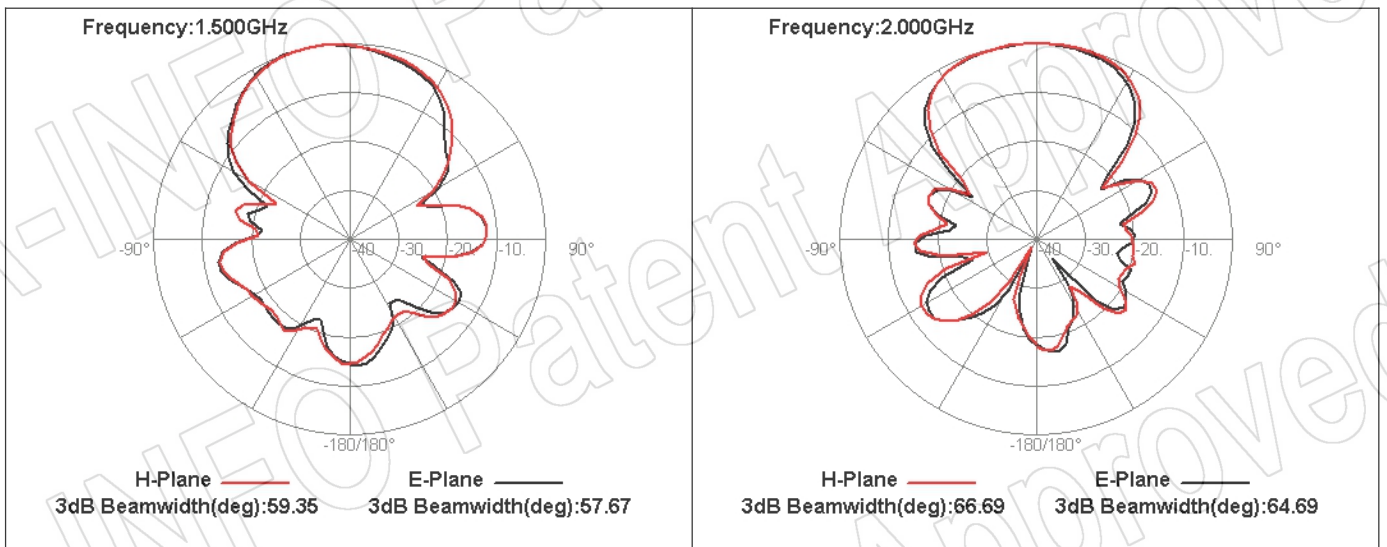
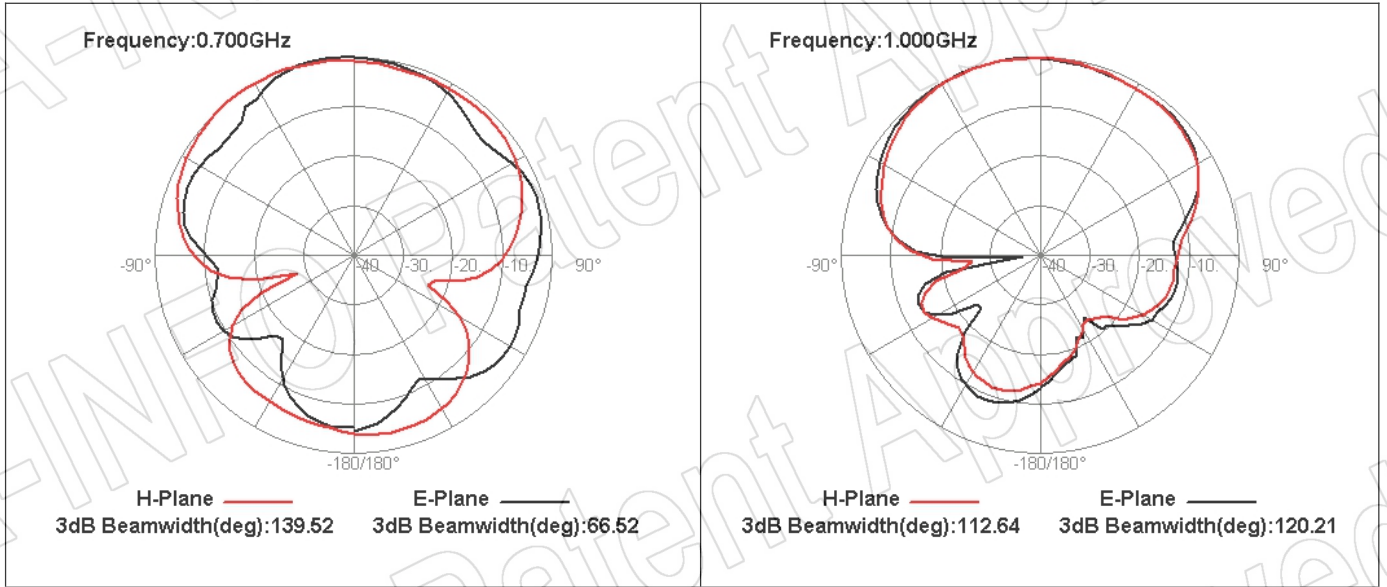
LHCP

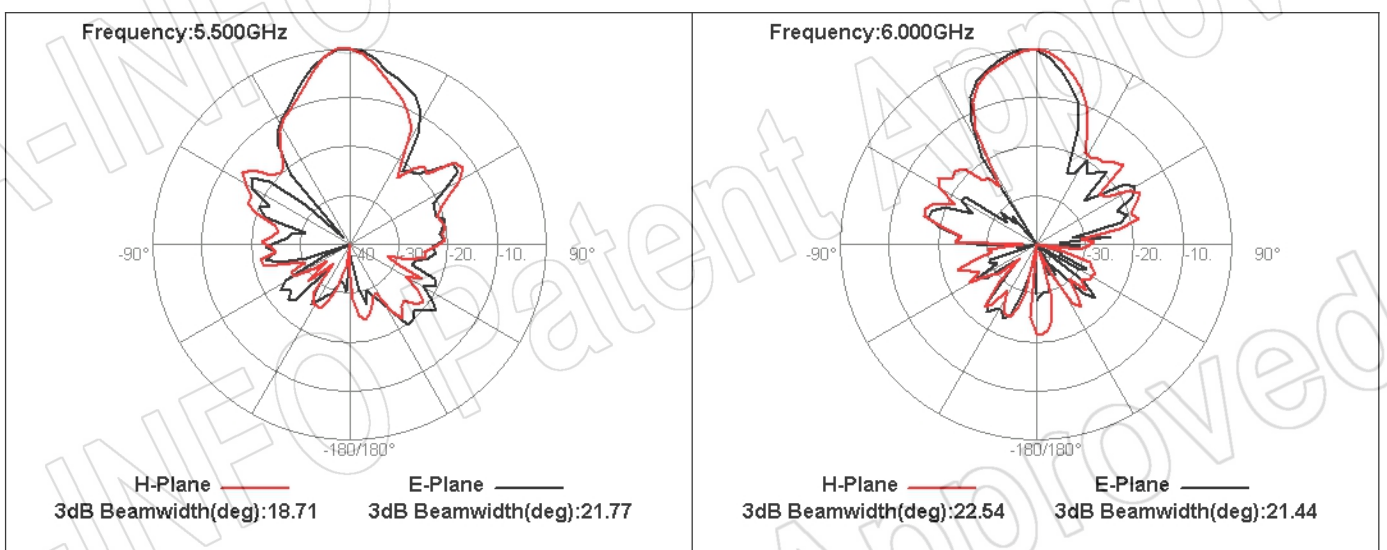
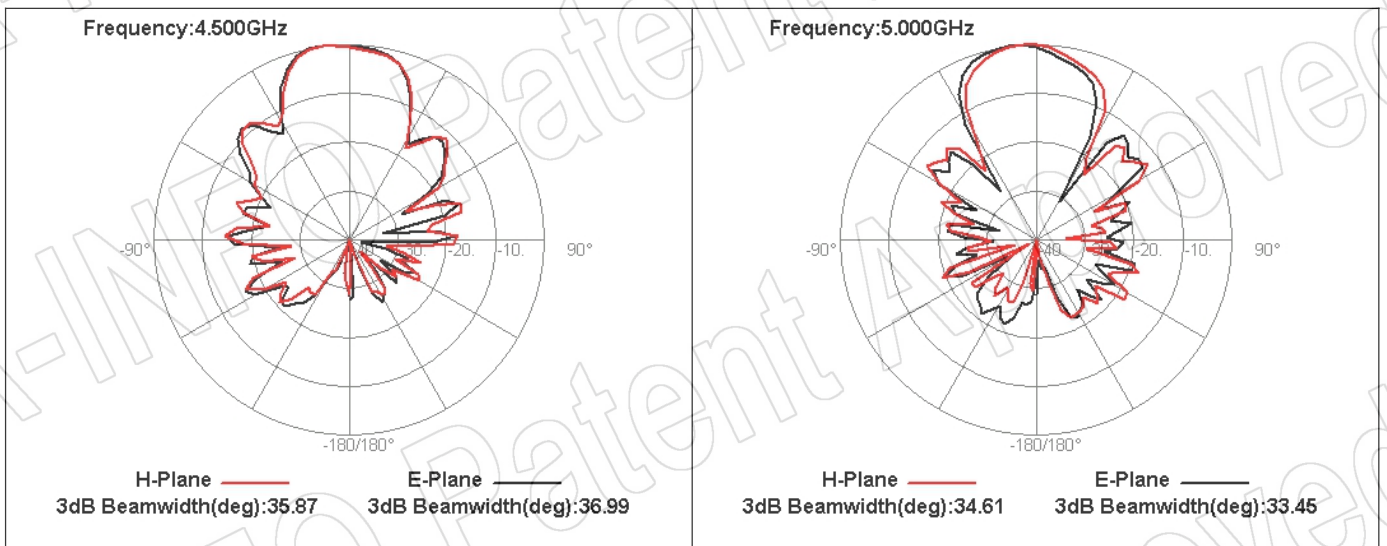
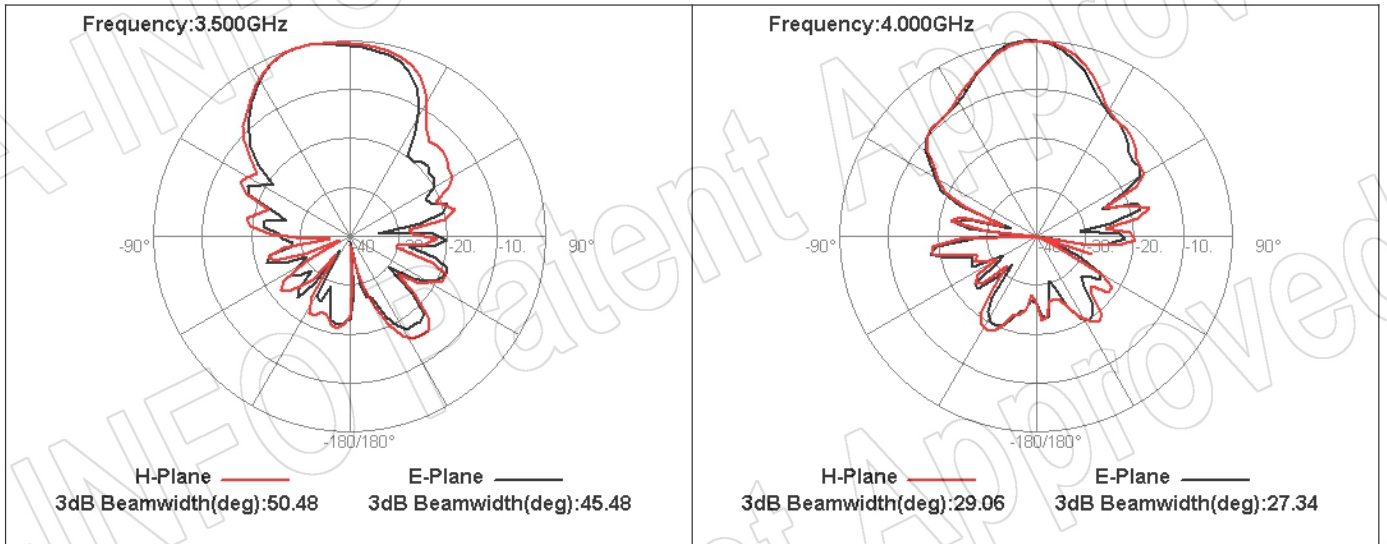


RHCP



5. Pattern LHCP





RHCP

